

FC Plug-in Module System series: FC-PL-in

FC Plug-in 19" 3U 16 Slots Chassis

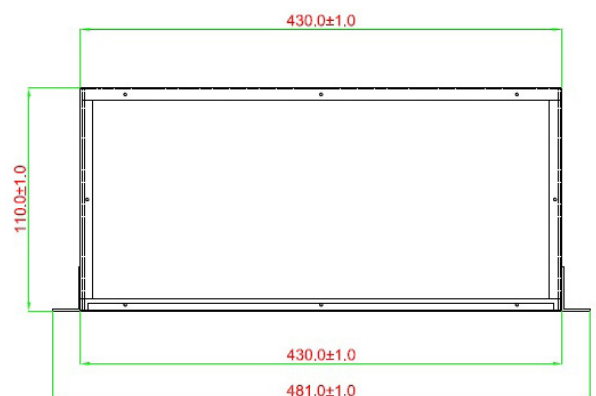
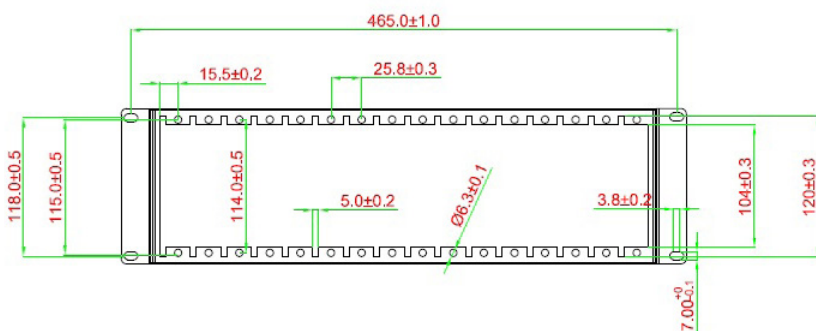
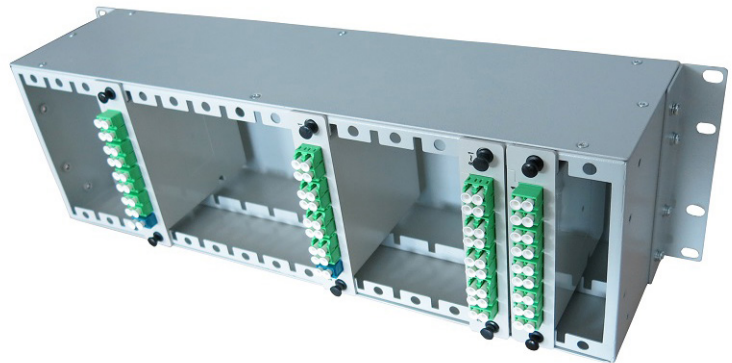
Applications:

The design of FC Plug-in Module system allows to easily install and maintain the fiber optic connections.

The rack mount chassis are produced in standard 19" dimensions and makes it easy to be mounted in standardized rack patch panel and due to the "movable ears" design they can also be mounted in a cabinet.

Features:

- 19" 3U Slots Chassis, for 16pcs. of Mini Plug-in PLC splitter modules
- Movable rack mounting ears
- Size: 19" x 3U x 111mm
- Detachable module box design, regular use of SC, LC and other type adapters
- Latching closing system
- Color: grey RAL 7035



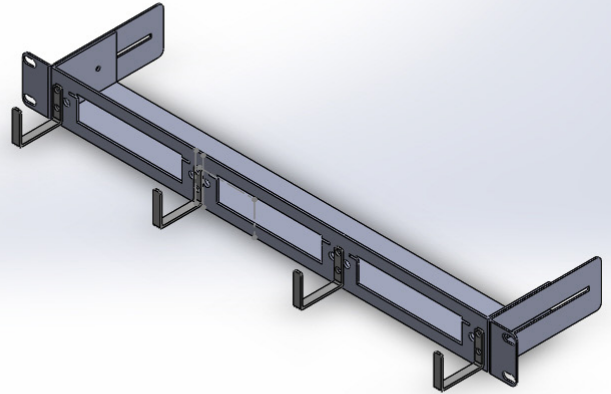
The products are compliant with: PN-EN 60825-2:2005/A1:2007, EN ETS 300119, ITU-L.50:2003, TP S.A - ZN-96/TPSA-009 and others.

FC Plug-in 19" 1U 3 Slots Chassis

Applications:

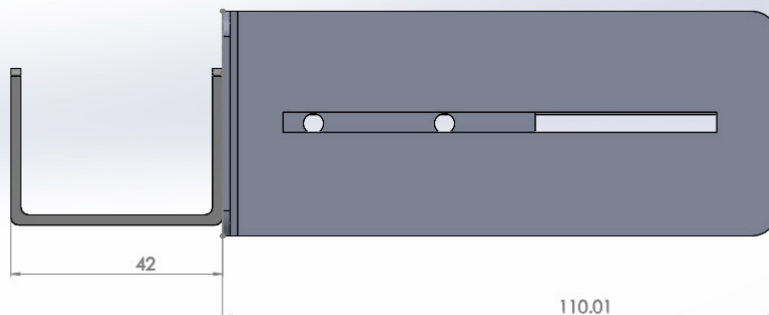
The design of FC Plug-in Module system allows to easily install and maintain the fiber optic connections.

The rack mount chassis are produced in standard 19" dimensions and makes it easy to be mounted in standardized rack patch panel and due to the "movable ears" design they can also be mounted in a cabinet.



Features:

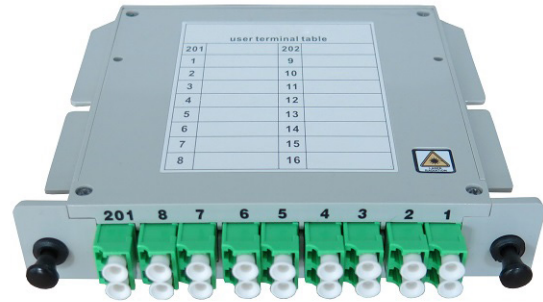
- 19" 1U Slots Chassis, for 3pcs. of Mini Plug-in PLC splitter modules
- Movable rack mounting ears
- Size: 19" x 1U x 110mm
- Detachable module box design, regular use of SC, LC and other type adapters
- Latching closing system
- Color: grey RAL 7035



Mini Plug-in Type PLC Splitter module

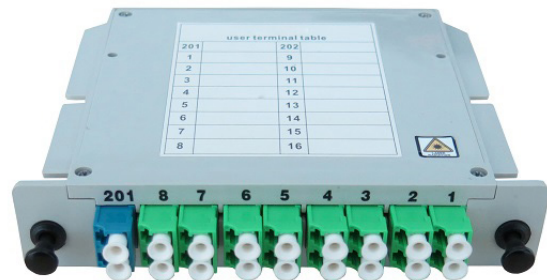
Applications:

- The design of Mini Plug-in Type PLC splitter are compatible with FC 19" 3U Plug-in Chassis.
- Fiber to the building (FTTB)
- Fiber to the home (FTTH)
- Passive optical networks (PON, GEAPON)
- Local area networks (LAN)
- Cable television (CATV)
- Telecommunication Networks



Features:

- Low insertion loss
- Wide operating wavelength: 1260-1650nm
- High Reliability and stability
- Material: ABS
- Color: grey RAL 7035



Technical specification:

Parameter	Unit	APC Connector
Operation Wavelength	nm	1260-1650
Channel Number		1x8
Insertion Loss(Max)	dB	10.5
Uniformity(Max)	dB	1.0
Polarization Dependent Loss	dB	0.3
Return Loss	dB	≥55
Direct	dB	≥55

Ordering Information:

Description	Part Number
FB Plug-in 19" 1U 3 Slots Chassis	FC-PL-in-1U
FB Plug-in 19" 3U 16 Slots Chassis	FC-PL-in-3U
Mini Plug-in Type PLC Splitter 1x8 SC/APC	FC04.P312
Mini Plug-in Type PLC Splitter 1x8 SC/UPC	FC04.P311
Mini Plug-in Type PLC Splitter 2x1x8 LC/APC	FC04.P822
Mini Plug-in Type PLC Splitter 2x1x8 LC/UPC	FC04.P821